

## PORTABLE CHARGING STATION FOR NP-FZ100 (4 CHANNEL)

### 01 [DISCLAIMER]

Thank you for purchasing TILTA products.

Before using this product, please carefully read this document to ensure that the product has been set up correctly. The final interpretation of this document and all related documents for this product belongs to TILTA. For updates, please visit the official website at [www.tilta.com](http://www.tilta.com) for the latest product information. TILTA reserves the right to modify any information in this manual at any time without prior notice and without assuming any responsibility.

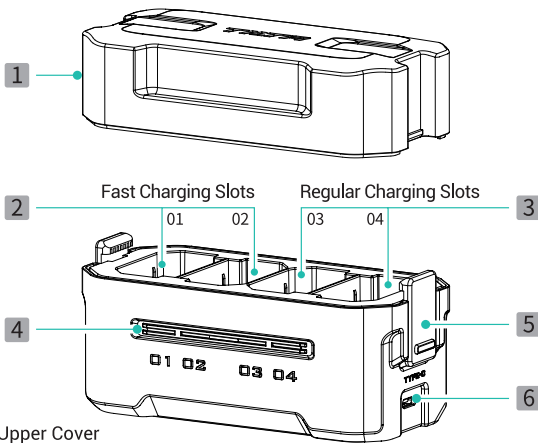
By using this product, you are deemed to have carefully read the disclaimer and warnings, understood, agreed, and accepted all the terms and content of this statement. You promise to take full responsibility for the use of this product and any consequences that may arise. You commit to using this product only for legitimate purposes and agree to these terms as well as any related regulations, policies, and guidelines set by TILTA.

TILTA is not responsible for any damages, injuries, or legal liabilities caused directly or indirectly by the use of this product. Users should follow all safety guidelines mentioned in this document, including but not limited to those mentioned.

Despite the above provisions, consumer rights are still protected by local laws and regulations are not affected by this disclaimer.

TILTA is a trademark of Shenzhen TILTA Technology Co., Ltd. and its affiliated companies. Product names, brands, and other trademarks appearing in this document are trademarks or registered trademarks of their respective companies.

### 02 [CHARGING CASE OVERVIEW] (Battery Not Included)



1 Upper Cover

2 Fast Charging Slots (01-02)

When the Fast Charging Slots 01 and 02 are outputting simultaneously or individually, each channel has a voltage of 8.4V and 1.5A (Max).

3 Regular Charging Slots (03-04)

When the Regular Charging Slots 03 and 04 are outputting simultaneously or individually, each channel has a voltage of 8.4V and 1A (Max).

**Note:** When both fast and Regular Charging Slots are outputting simultaneously, the system will operate in regular charging mode, with each channel having a voltage of 8.4V and 1A (Max).

4 Battery Level Indicator Lights (01-04)

• Battery Status (Indicator light turns on for 5 seconds, then turns off)

Voltage Range	Battery Status (Reference Values)	Indicator Light Status
≤7.2V	Low Level (0% to 30%)	Constant Red
7.2 ~ 8.2V	Medium Level (30% to 90%)	Constant Yellow
≥8.2V	High Level (90% to 100%)	Constant Green

• Charging Status

Voltage Range	Battery Status (Reference Values)	Indicator Light Status
≤7.5V	Low Level (0% to 30%)	Constant Red
7.5 ~ 8.4V	Medium Level (30% to 99%)	Constant Yellow
8.4V	Fully Charged (100%)	Constant Green

**Note:** The battery charge level displayed by the charging case is calculated based on the battery voltage, while the camera displays the battery level based on the Coulomb counter inside the protection board. The detection methods are different, hence there will be slight differences in the displayed battery levels. These displayed battery levels are only for reference and do not affect the battery life.

5 Lock Buttons

6 USB-C PD Input Port

Input: 9V≡3A, 12V≡3A, 15V≡3A; Maximum Power: 45W

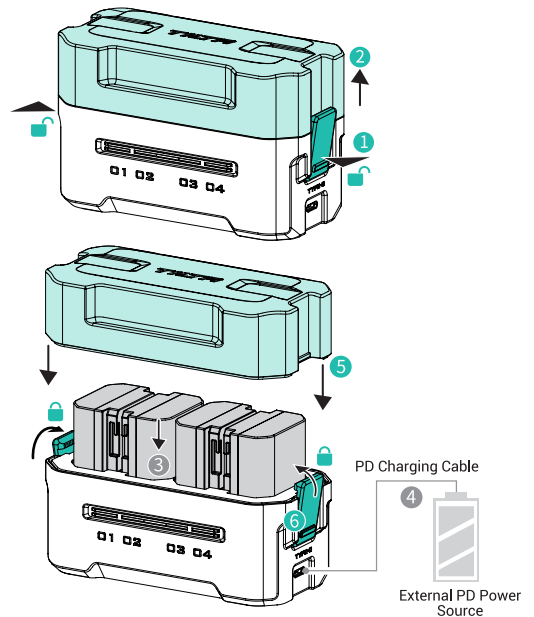
#### [Specifications]

- Model: TBC-FZ100
- Dimensions: 122×57×76mm
- Net Weight: 175g(Charging Case) ; 204g(Charging Case + Cable)

#### [Packing List]

- Upper Cover ×1
- NP-FZ100 Battery Charging Case ×1
- Product Manual ×1
- Dual USB-C PD Charging Cable ×1

### 03 [USING THE BATTERY CHARGING CASE]



(1) Press and hold the lock buttons ① on both sides to unlock, then remove the upper cover ②.

(2) Place the battery into the battery compartment ③. Connect the charging case to a PD power source using the PD charging cable to charge the battery ④. Then, close the upper cover and press down firmly to secure it in place ⑤. Ensure that the lock clicks into position ⑥ (check to confirm it is locked).

#### [Instructions]

• The charging case supports the standard PD protocol and does not support proprietary protocols.

• When the charging case is powered via an external USB-C power source, the indicator light will cycle through red, yellow, and green before turning off.

• **Power Adapter Selection:**

(1) When using a single-port or multi-port adapter to power the charging case, please ensure the PD power adapter provides an output voltage of 9V, 12V, or 15V, with a minimum output power of 18W. Adapters with 5V outputs are not supported.

(2) If the adapter voltage is insufficient (5V), the charging case indicator will flash red to alert the user. In this case, please use a PD power adapter with an output voltage of 9V, 12V, or 15V.

(3) To achieve optimal charging efficiency, it is recommended to use a PD power adapter with an output power of 45W or higher.

#### [Attention]

- This product is designed to charge NP-FZ100 batteries only.
- Do not charge incompatible batteries, as doing so may damage the batteries and the charging case.
- Do not insert any foreign objects or liquid into the charging case.
- Store the charging case in a cool, dry, and well-ventilated place.
- Keep the charging case away from water and excessive dust.
- Children should use the charging case under adult supervision.
- If the charging case is damaged in any way, do not attempt to disassemble or operate it on your own.

### 01 [免责声明]

感谢您购买TILTA的产品。

使用本产品之前,请仔细阅读本文以确保已对产品进行正确的设置。本文档及本产品所有相关的文档最终解释权归TILTA所有。如有更新,请访问www.tilta.com官方网站获取最新的产品信息。TILTA保留随时修改本手册中任何信息的权利,无需提前通知且不承担任何责任。

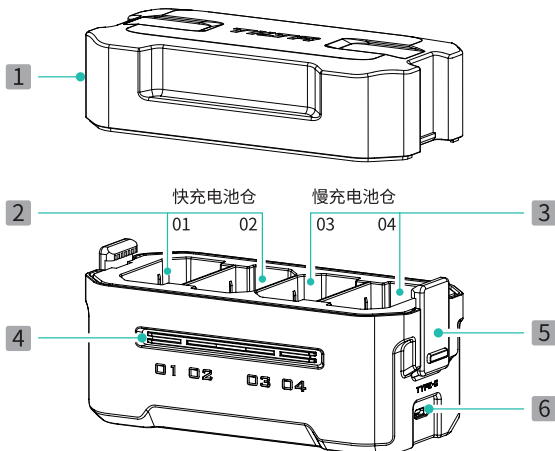
一旦使用本产品,即视为您已经仔细阅读免责声明与警告,理解、认可和接受本声明全部条款和内容。您承诺对使用本产品以及可能带来的后果负全部责任。您承诺仅出于正当目的使用本产品,并且同意本条款以及TILTA制定的任何相关条例、政策和指引。

TILTA对于直接或间接使用本产品而造成的损坏、伤害以及任何法律责任不予负责。用户应遵循包括但不限于本文提及的所有安全指引。

即使存在上述规定,消费者权益依然受当地法律法规所保障,并不受本免责声明影响。

TILTA是深圳市铁头科技有限公司及其关联公司的商标。本文出现的产品名称、品牌等均为其所属公司的商标或注册商标。

### 02 [认识电池充电盒](不含电池)



1 充电盒上盖

2 快充电池仓 (01-02): 当01和02号快充电池仓同时输出或单输出时,每快充通道电压为8.4V $\approx$ 1.5A (Max)

3 慢充电池仓 (03-04): 当03和04号慢充电池仓同时输出或单输出时,每慢充通道电压为8.4V $\approx$ 1A (Max)

注: 当快充和慢充电池仓同时输出时为慢充状态,每通道电压为8.4V $\approx$ 1A (Max)。

4 电池电量指示灯 (01-04)

● 电池检测状态 (灯亮5S后熄灭)

电压范围	电量状态 (参考数值)	指示灯状态
$\leq 7.2V$	低电量 (0% ~ 30%)	红灯常亮
7.2 ~ 8.2V	中电量 (30% ~ 90%)	黄灯常亮
$\geq 8.2V$	高电量 (90% ~ 100%)	绿灯常亮

● 电池充电状态

电压范围	电量状态 (参考数值)	指示灯状态
$\leq 7.5V$	低电量 (0% ~ 30%)	红灯常亮
7.5 ~ 8.4V	中电量 (30% ~ 99%)	黄灯常亮
8.4V	满电量 (100%)	绿灯常亮

注: 充电盒的指示灯是基于电池电压大小决定的,相机显示电量是根据保护板里面的库仑计算,检测的方法不一样,因此两个数值会存在些许差异,电量指示灯仅是参考,对续航没有影响。

5 锁扣键

6 Type-C PD输入接口

输入电压: 9V $\approx$ 3A, 12V $\approx$ 3A, 15V $\approx$ 3A; 45W (Max)

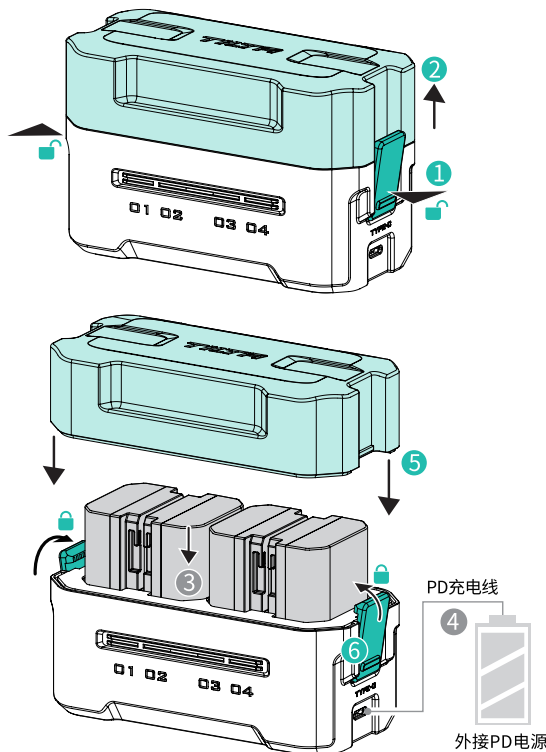
#### 【规格参数】

- 型号: TBC-FZ100
- 尺寸: 122 $\times$ 57 $\times$ 76mm
- 净重: 175g (充电盒); 204g (充电盒+充电线)

#### 【物品清单】

- 充电盒上盖  $\times 1$
- NP-FZ100电池充电盒  $\times 1$
- 双头Type-C PD充电线  $\times 1$
- 产品说明书  $\times 1$

### 03 [使用电池充电盒]



(1) 按住两侧锁扣键①解锁,取出上盖②。

(2) 将电池放入电池仓③,充电盒通过PD充电线外接PD电源给电池充电④。再合上上盖并向下按压⑤,锁扣键会自动扣紧⑥(需检查是否有扣紧)即完成装配。

#### 【使用须知】

- 充电盒支持PD协议,不支持私有协议。
- 充电盒通过Type-C外接电源输入时,指示灯会 红/黄/绿灯交替闪烁一次熄灭。
- 选择合适的电源适配器
  - (1) 使用单接口适配器或多接口适配器给充电盒供电时,请选用输出电压为9V、12V或15V且输出功率大于18W的PD电源适配器。不支持输出5V的电源适配器。
  - (2) 当电源适配器电压不足(输出电压5V)时充电盒会 红灯闪烁提示,需选用输出电压为9V、12V或15V的PD电源适配器。
  - (3) 为确保达到最快充电效率,请选用输出功率为45W及以上的PD电源适配器。

#### 【注意事项】

- 本产品仅适配给NP-FZ100电池充电。
- 请勿给不合适的电池充电,否则可能会损坏电池和充电盒。
- 请勿向充电盒中插入其他异物或倒入液体。
- 将充电盒存放在阴凉、干燥、通风良好的地方。
- 保持充电盒远离水和过多的灰尘。
- 儿童应在成人陪同下使用。
- 充电盒如有任何损坏,请勿自行拆卸或操作。